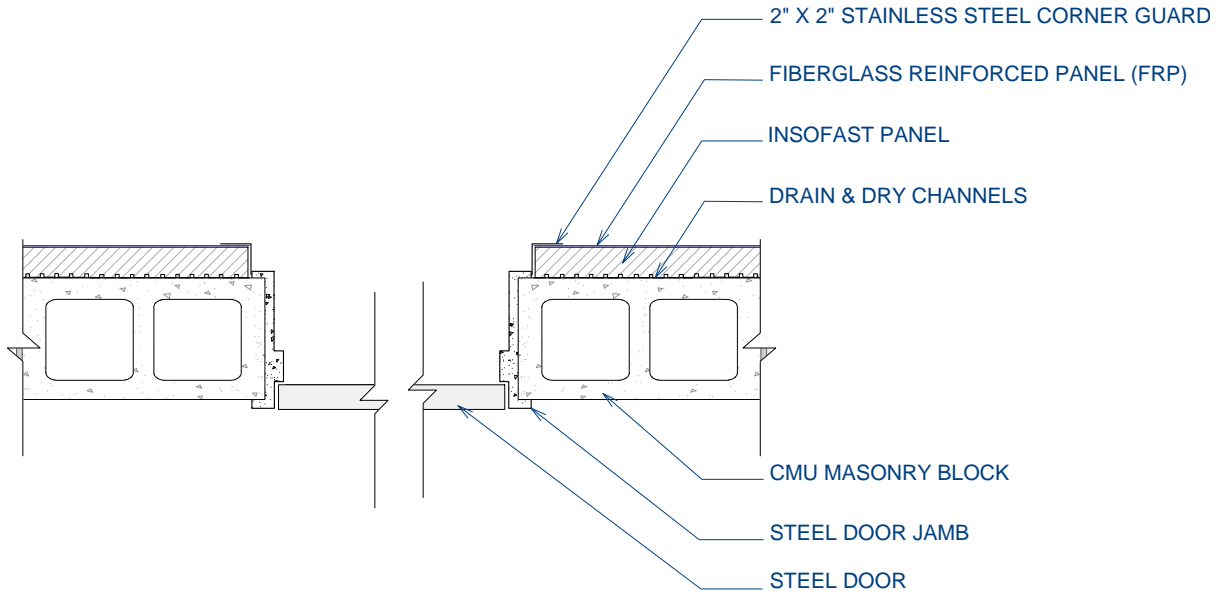


**ISF 07.01.25    INSOFAST - DOOR - CMU - FULL WIDTH STEEL JAMB -  
FIBER REINFORCED PANEL (FRP) FINISH**



\* 18 GA #304 STAINLESS STEEL CORNER GUARD  
AVAILABLE THROUGH: [WWW.FRPSHOP.COM](http://WWW.FRPSHOP.COM)

DUE TO VARIANCES IN LOCAL CODES, CONSTRUCTION PRACTICES, AND REQUIREMENTS, ALL DETAILS SHALL BE CONSTRUCTED IN ACCORDANCE WITH SUCH LOCAL CODES, CONSTRUCTION PRACTICES, AND REQUIREMENTS REGARDLESS OF DETAIL CONSTRUCTION SHOWN IN THIS DRAWING, INSOFAST, LLC MAKES NO WARRANTY, EXPRESSED OR IMPLIED. INSOFAST, LLC ASSUMES NO LEGAL LIABILITY OR RESPONSIBILITY FOR THE ACCURACY, COMPLETENESS, OR USEFULNESS OR ANY INFORMATION APPARATUS, PRODUCT OR PROCESS DISCLOSED.



**Door - CMU - Full Width Steel Jamb - FRP Finish**

888-501-7899

InSoFast, LLC

[www.InSoFast.com](http://www.InSoFast.com)

Scale: NOT TO SCALE

Date: March 2010

Detail #: **ISF 07.01.25**