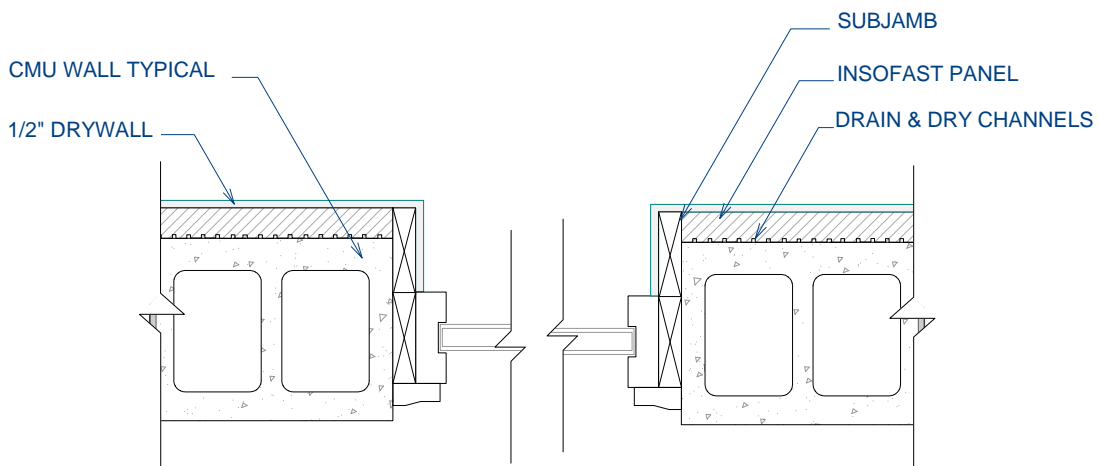
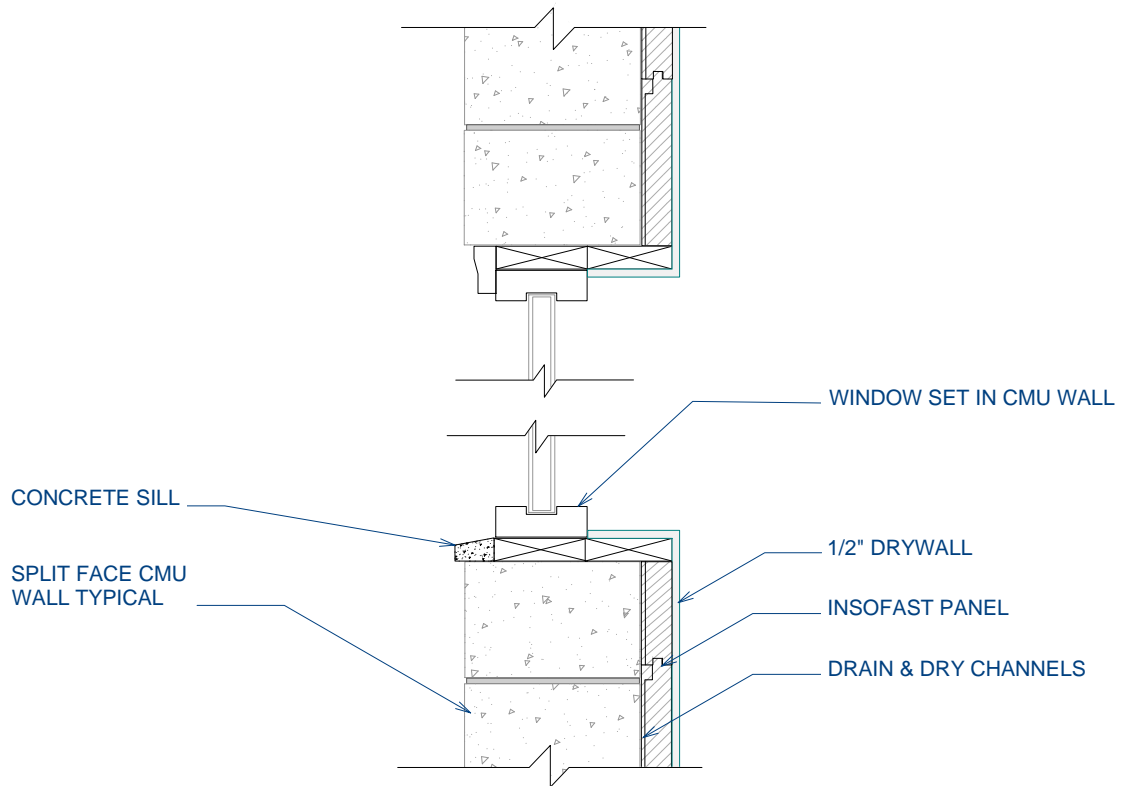


ISF 07.01.06 INSOFAST - WINDOW - CMU - DRYWALL RETURN OVER WOOD FRAMING



DUE TO VARIANCES IN LOCAL CODES, CONSTRUCTION PRACTICES, AND REQUIREMENTS, ALL DETAILS SHALL BE CONSTRUCTED IN ACCORDANCE WITH SUCH LOCAL CODES, CONSTRUCTION PRACTICES, AND REQUIREMENTS REGARDLESS OF DETAIL CONSTRUCTION SHOWN IN THIS DRAWING, INSOFAST, LLC MAKES NO WARRANTY, EXPRESSED OR IMPLIED. INSOFAST, LLC ASSUMES NO LEGAL LIABILITY OR RESPONSIBILITY FOR THE ACCURACY, COMPLETENESS, OR USEFULNESS OR ANY INFORMATION APPARATUS, PRODUCT OR PROCESS DISCLOSED.



Window - CMU - Drywall Return over Wood Framing

888-501-7899

InSoFast, LLC

www.InSoFast.com

Scale: NOT TO SCALE

Date: March 2010

Detail #: **ISF 07.01.06**