

## InSoFast EX 2.5 Panels

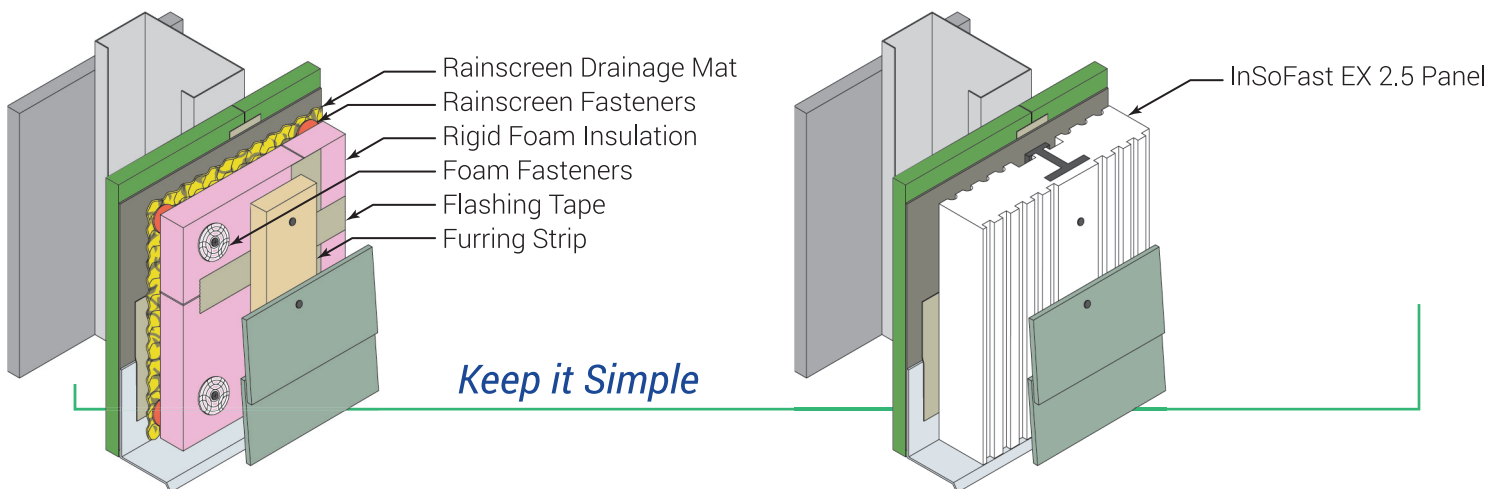
- ✓ 4ft x 2ft x 2½in
- ✓ R-10 Closed-cell EPS Continuous Insulation
- ✓ Mold-Resistant, Embedded Stud Framing
- ✓ Tightly Interlocking Tongue and Groove Edges
- ✓ Dual-Surface Drain and Dry Technology
- ✓ Optimized for Exterior Wall Rainscreen Applications
- ✓ Nationwide Code Compliance + ORSC Sec. R703.1.1



Fully insulated, embedded studs enable built-in attachment to walls and finishing materials. They are made from non-conductive composite material. The studs are recessed by a ½" of insulation to eliminate thermal transfer.

Interlocks on all 4 sides have engineered capillary breaks to prevent water migration through the insulation. The InSoFast panel is not reliant on building tapes for a weather-tight seal.

InSoFast panels are engineered with materials that will not rot, rust, warp, or decay when exposed to moisture. EPS foam is a stable material with zero thermal drift, maintaining its R-Value in extreme conditions, year after year.







- x No tape
- x No washers
- x No drainage mat
- x No furring strips
- x No special tools
- x No extra steps
- ✓ No problem.

